

Nano-N1141

Intel® Celeron® J6412 Processor - Network Security

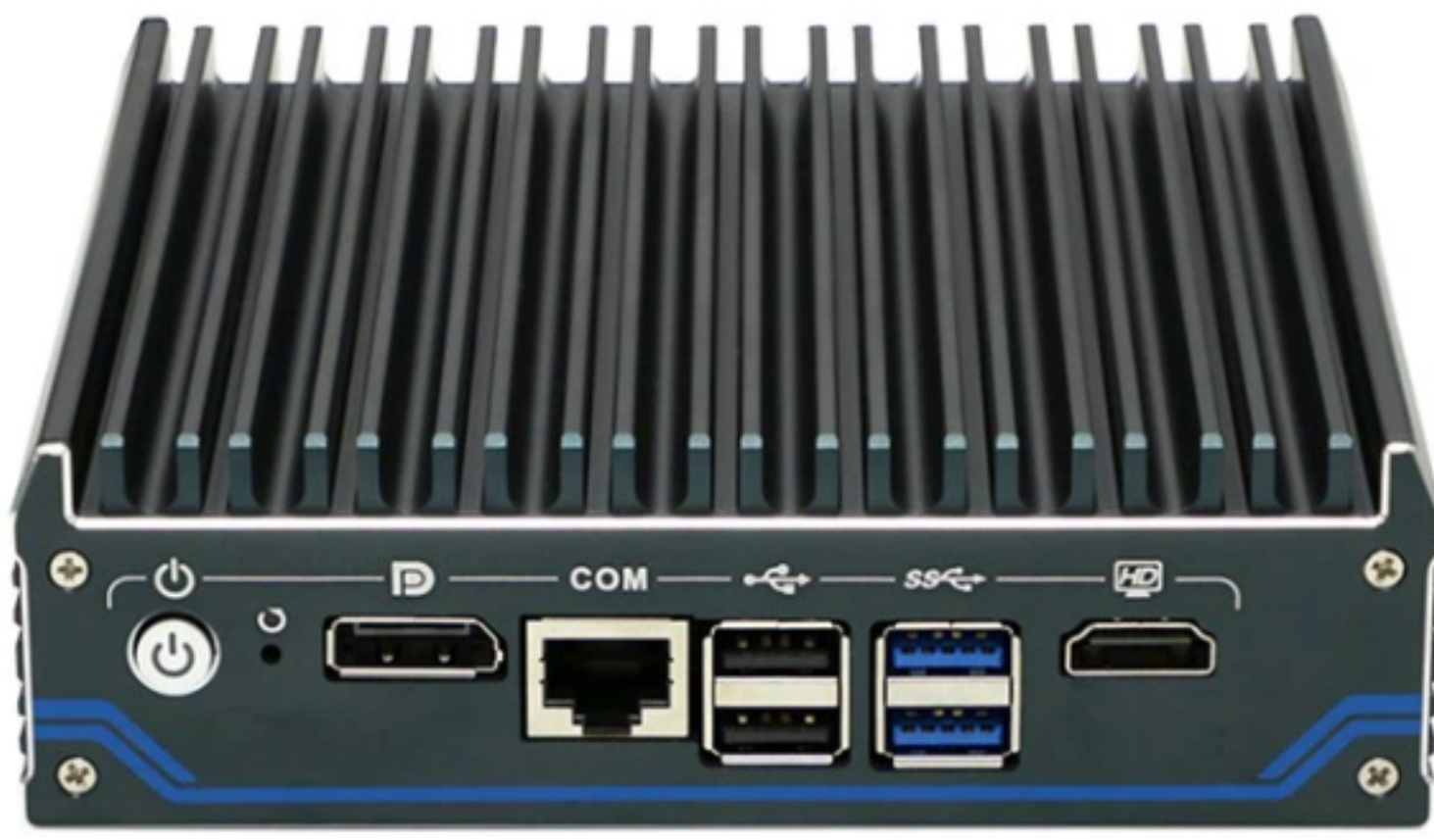


FEATURES

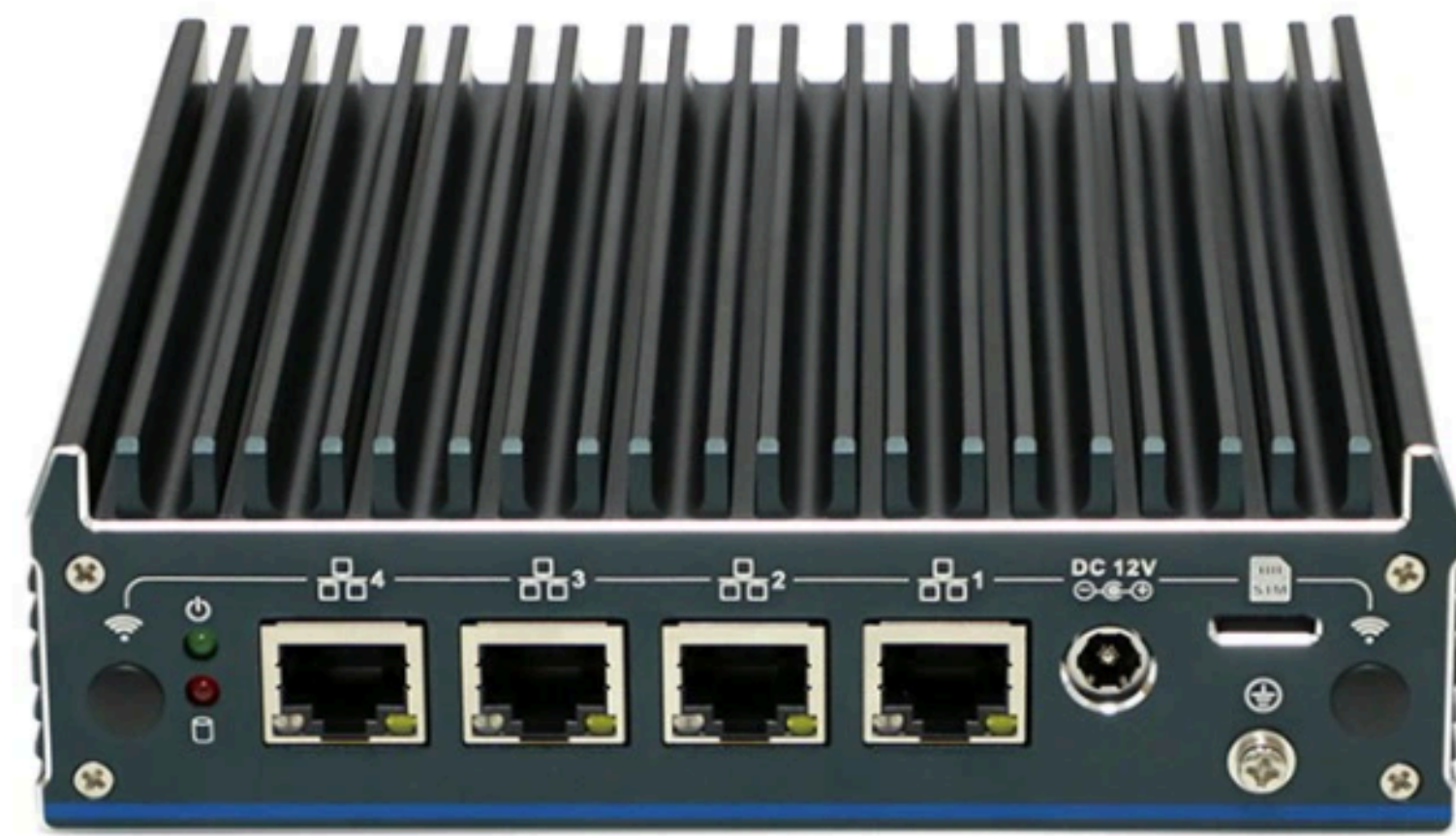
- Fanless Aluminum Design
- Intel® Celeron® J6412 Quad Core Processor
- 4 × Intel i226-V 2.5G LAN Ports
- 1 × HDMI, 1 × DP
- 1 × DDR4, Max. 32 GB

SPECIFICATION

SYSTEM	
Processor	Intel® Celeron® J6412 (quad core four threads, 2.0GHz, pulse frequency 2.6GHz)
CPU Architecture	Elkhart Lake
Memory	1 × DDR4 3200MHz SODIMM, Max. 32 GB
BIOS	AMI UEFI BIOS
Display Chip	Intel® UHD Graphics
Display Port	1 × HDMI 1 × DP Support synchronous/asynchronous 2 display Max. Resolution 4096x2160@60Hz
Storage	1 × M.2 2280 1 × 2.5-inch HDD/SSD
Expansion	1 × M.2 2280 M-key (support SATA protocol) 1 × M.2 2230 E-key slot (support WiFi and Bluetooth) 1 × Mini PCIe (support 4GM modem, outside SIM Card Slot, USB signal WiFi/Bluetooth)
OS Support	Windows 10, Windows 11, Linux, iKuai, pfSense
Front I/O	1 × Power Button 1 × DP 1 × RJ45 COM Port (support console function) 2 × USB 2.0 2 × USB 3.1 1 × HDMI 1 × Restart Button
Rear I/O	4 × RJ45 LAN Ports 1 × DC-In 1 × SIM Card Slot
Ethernet	4 × Intel i226-V 2.5G LAN Ports
Power	DC 12V
Other Function	Power-on, timed power-on, network wake-up, PXE boot, watchdog (level 0-255), TPM2.0 security encryption
Application	Firewall, VPN, Network Server, Network Security, Router etc.
ENVIRONMENT	
Operating Temperature	0°C ~ 40°C (Commercial HDD), -20°C ~ 60°C (Industrial SSD), surface air flow
Relative Humidity	0% ~ 95% (non-condensing)
Certification	CE, CCC, FCC Class A, RoHS
MECHANISM	
Dimension	144 × 136.7 × 42 mm
Net Weight	0.78 kg



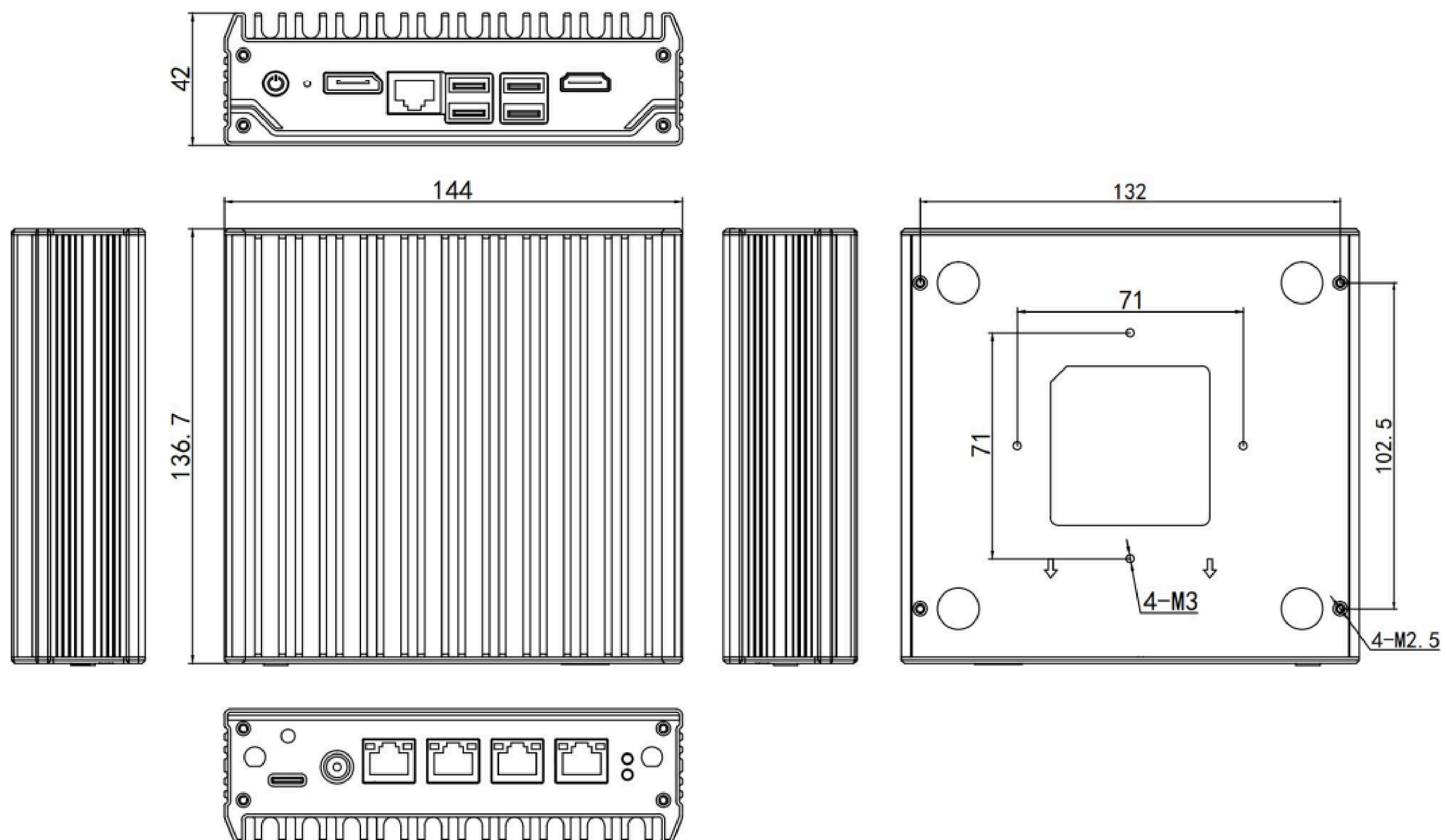
Front View



Rear View

DIMENSION

unit:mm



ORDER INFORMATION

Nano N1141	CPU	Specification
Configuration	Intel® Celeron® J6412	Standard I/O

ACCESSORY

Part Name	Quantity	Specification
Power Adapter	1	12V 4A / 12V 5A
Power Cord	1	CN, US, UK, EU etc.
VESA Bracket	1	Standard